

## Mica Wound Strip Heaters And Band Heaters



### [Mica Wound Strip Heaters And Band Heaters](#)

The Mica wound Strip & Band Heaters that we are providing are fabricated giving careful consideration of watt density that is necessary in the design in industrial heating elements. There is much variation in the range of watt density & each electric mica wound strip heater and band heaters has its own individual watt density properties.

#### **Typical Installations of Strip Heaters:**

- Ovens & cabinet warming - for drying, melting, baking
- Moisture protection - in motors, control cabinets
- Load resistors
- Clamped onto - platens, tanks, hot plates, dies, moulds, tin melting, weld pre-heating

#### **Typical Installations of Band Heaters:**

Plastic Processing Machinery.  
Injection and Blow Moulding.  
Extruders.  
Many other Applications. (Medical, Lab-Equipments....etc)

### **MICA WOUND BAND HEATERS**

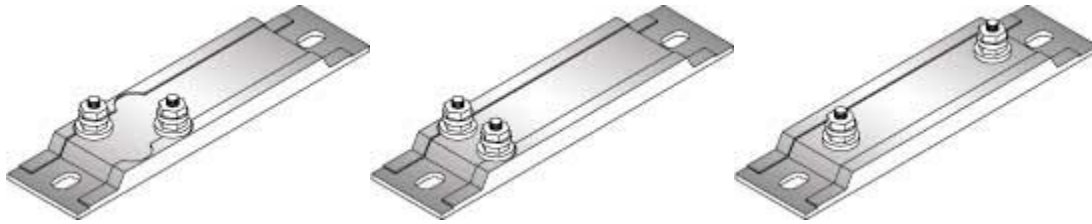
#### **When ordering please consider the following points & specify them:**

Inside diameter. & width of the heater.  
Wattage & Voltage.  
Sheathing Material  
Type of terminals required.  
Drawing where special type of holes or cutout required.  
Operating Temperature.

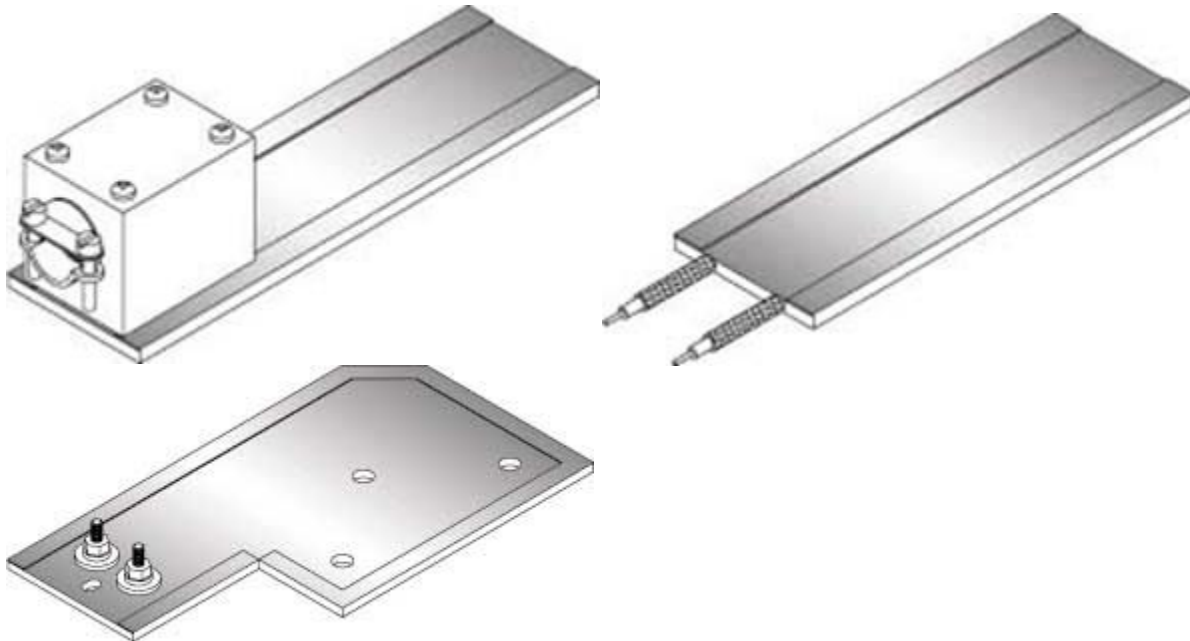
#### **Typical Installations of Strip Heaters:**

- Ovens & cabinet warming - for drying, melting, baking
- Moisture protection - in motors, control cabinets
- Load resistors

- Clamped onto - platens, tanks, hot plates, dies, molds, tin melting, weld pre-heating
- 



### MICA WOUND STRIP HEATERS



**MICA WOUND BAND HEATERS**

